

What is OYAP ?

How can I ? get more information



- ▶ OYAP allows secondary school students to begin their post-secondary apprenticeship in a trade while still in secondary school.
- ▶ Bishop P.F. Reding is the only school in Halton who offer this excellent program.
- ▶ OYAP provides students with the opportunity to possibly get credit of hours done in an apprenticeable trade while still in high school.
- ▶ Similar pre-trade courses are offered at both colleges and private vocational training facilities, at a much higher cost.

Visit your School to Career Guidance contact. They will provide information about:

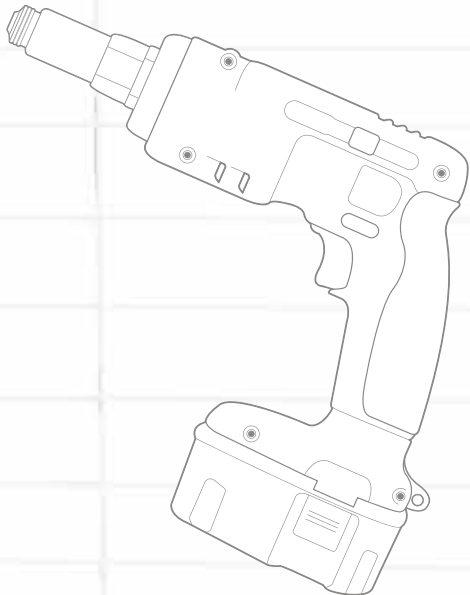
- ▶ This program and many others that are offered jointly between the Halton Catholic and Halton District School Boards.
- ▶ Parent / student School to Career Information Nights.
- ▶ Visiting the school to see the program in action during semester 2.
- ▶ Visit: www.schooltocareer.ca for info on any of the programs that can be taken through Halton school boards.
- ▶ Log on to www.onsorts.ca to register to this course and to book an interview
- ▶ Or contact: Angelo Poletto
Bishop P. F. Reding S. S.
Milton, On. 905 875-0124
polettoa@hcdsb.org
- ▶ Or Mike Johnston, OYAP Facilitator HCDSB
johnstonm@hcdsb.org

Construction Transition Program

(CONSTRUCTION TECHNOLOGY)



"I AM GOING TO PURSUE MY
POST-SECONDARY EDUCATION THROUGH
AN APPRENTICESHIP."



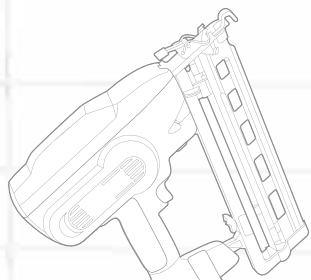
Offered at
Bishop P. F. Reding S. S. Milton

Construction Transition Program



When is this program offered ?

Construction Transition Program is offered at Bishop P. F. Reding S. S. in Milton. It is offered in semester 2 and is a 4 credit coop program. If you are interested in getting a jumpstart in one of the many construction trades, which include Drywall Finisher, Bricklaying, Plumbing, then the Construction Transition Program may be for you!!



What is an Apprenticeship ?

In an Apprenticeship, students ...

- ▶ May earn while they learn.
- ▶ Will be taught one on one by a certified carpenter/cabinet maker person.
- ▶ Will be sent to take apprenticeship courses at college.
- ▶ Will have the government pay approximately 80% of the their tuition.
- ▶ Will have the opportunity to turn a blue collar job into a “gold” collar career.

Why take the Construction Transition Program ?

In Construction Transition, students ...

- ▶ Have an opportunity to try out one of the many skilled trades in the construction sector through co-operative education. Whether it is roofing, plumbing, bricklaying, drywall finisher, or one of the many other careers that are available in the construction sector. This may shorten your apprenticeship since you are an OYAP student.
- ▶ May get your foot in the door with a potential employer..
- ▶ Have an opportunity to get a number of certifications or awareness's that will prepare you for the workplace in the construction sector.

What other training will I receive ?

In Construction Transition, students will have the opportunity to earn the following additional Certifications or awareness:

- ▶ Standard First Aid
- ▶ Adult CPR
- ▶ Young Worker Awareness

In addition to the above, students will also have the opportunity to earn Construction Safety Association of Ontario (CSAO) Certifications or awareness in:

- ▶ Health and Safety Basic
- ▶ Fall Protection
- ▶ Construction WHMIS

